

**PLANT LEGEND**

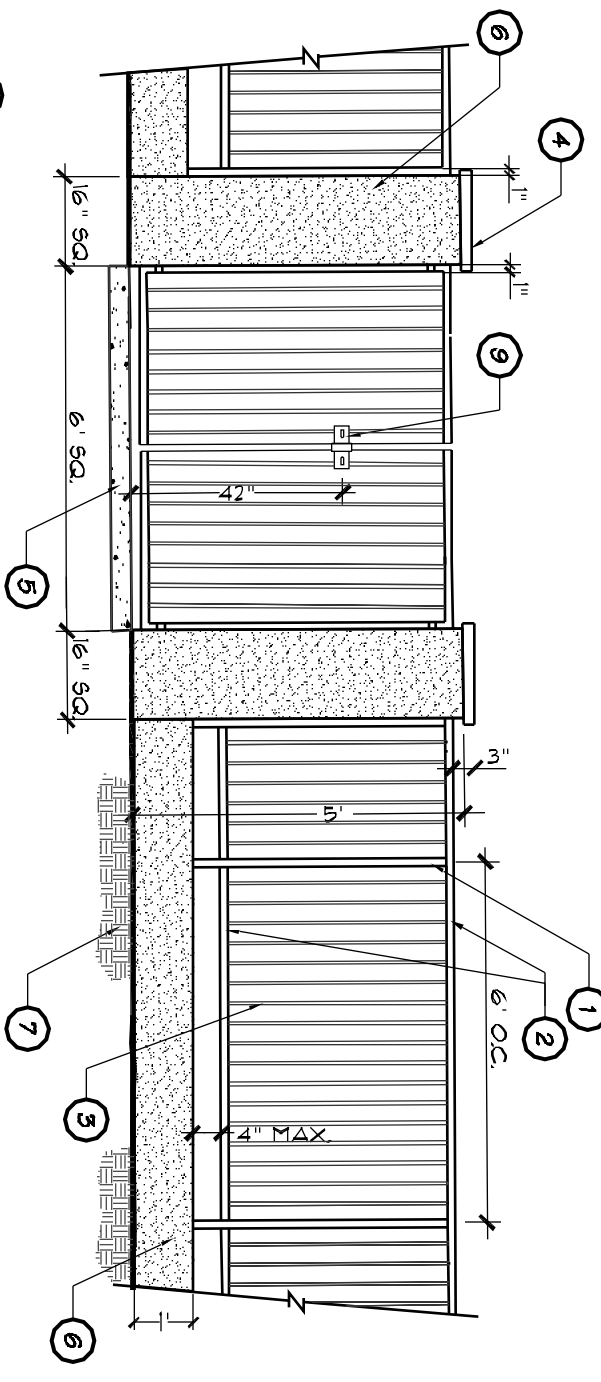
Trees		Symbol	Quantity	Scientific Name	Common Name	Planting Size
	1		1	Cercidium hubertii Desert Museum	Hybrid palo verde	36" - Box Std.
	4		4	Prosopis chilensis hybrid "Thornless"	Hybrid Chilean Mesquite	24" - Box Std.
	7		7	Citrus Species	Citrus	24" - Box Std.
Palms						
	3		3	Chamærops humilis	Mediterranean fan palm	24" - Box Multi
Groundcovers						
	3		3	Rosmarinus o. prostratus	Rosemary	5-Gal
	11		11	Carissa g. boxwood beauty	Natal plum	5-Gal
				3/8" Chamærops beige crushed gravel	by Southwest Boulders & Stone or approved equal	
Vines						
	2		2	Bougainvillea	Bougainvillea	5-Gal esp. On wall
	1		1	Calliandra naequeulatera	Pink Powder Puff	5-Gal esp. On wall
	DG			3/8" Mirus 'Bristone' decomposed granite	by Southwest Boulders & Stone or approved equal.	

NOTE: 1. CONTRACTOR TO VERIFY PLANT QUANTITIES BEFORE ORDERING MATERIAL.

**EXISTING PLANT MATERIAL TO REMAIN**

Symbol	Quantity	Scientific Name	Common Name	Notes
	1	Olea Europea	Olive Tree	To remain in place
	3	Washingtonia Filifera	California Fan Palm	To remain in place

NOTE: 1. CONTRACTOR TO TRIM TREE AND CUT DEAD FROND FROM PALMS TO EXPOSE A CLEAN PALM TRUNK

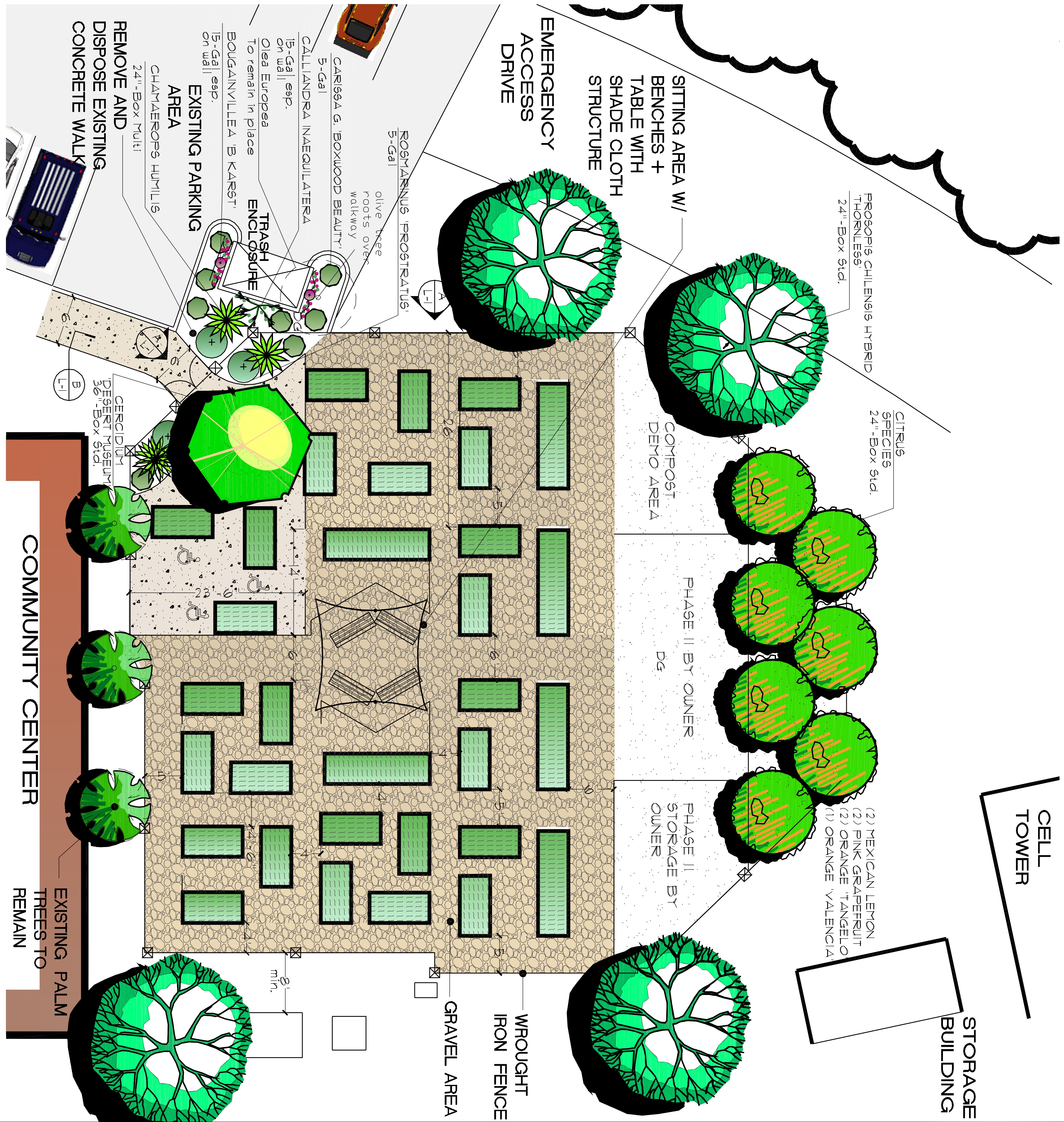


NOTE: FOOTING AND STEEL REQUIREMENT PER CITY OF PALM SPRINGS STANDARDS

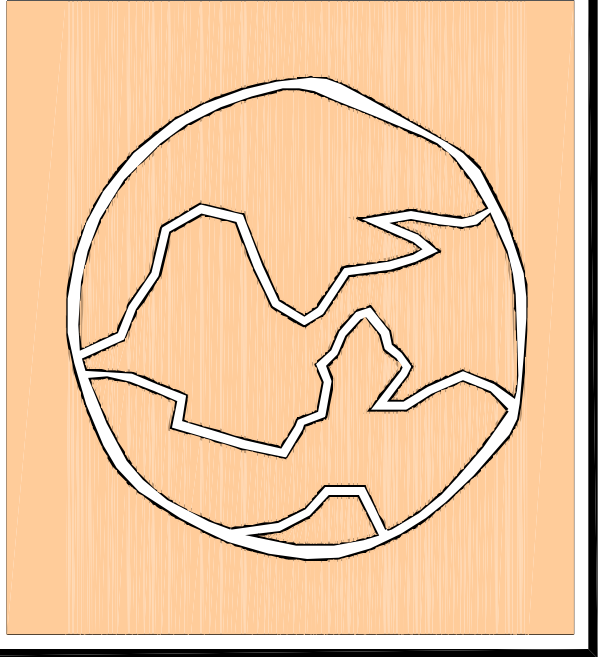
- 1 1/2" SQUARE STEEL TUBE POST 6' OC.
- 1 1/2" SQUARE STEEL TUBE RAILS
- 3/4" SQUARE STEEL PICKETS (4" MAX. EQUAL SPACING BETWEEN PICKETS)
- 2" THICK SLUMPED CAP COLOR TO BE 'MISSION'. BY ORCO BLOCK CO. or APPROVED EQUAL.
- GIBET CONCRETE WALK WITH A BROOK FINISH - SEE DETAIL
- CHU BLOCK COLUMNS AND WALL WITH A SLUMPED FINISH COLOR TO BE 'LA PAZ'. BY ORCO BLOCK CO. or APPROVED EQUAL.
- FINISH GRADE
- CONCRETE FOOTING PER CITY STANDARDS
- HEAVY DUTY SELF CLOSING GATE HINGES
- 95% COMPACTED SUBGRADE

**A-BROUGHT IRON FENCE + COLUMN DETAIL**

SCALE: 1/8"=1'-0"



SEE SHEET LD-1 FOR PLANTING DETAILS



**T K D ASSOCIATES, INC.**  
LAND PLANNING - LANDSCAPE ARCHITECTURE  
7780 SAN JACINTO DR. SUITE F22  
PALM SPRINGS, CALIFORNIA 92264  
P: (951) 776-9511 FAX: (951) 776-9523

**PROJECT NAME**  
DEMUTH COMMUNITY CENTER GARDEN  
PALM SPRINGS CALIFORNIA

**REGISTERED LANDSCAPE ARCHITECT**  
THOMAS K. DOZEL #2370  
STATE OF CALIFORNIA  
Signature: \_\_\_\_\_ Date: \_\_\_\_\_

**CONSULTANTS**

**SHEET TITLE**  
PLANTING PLAN

**SCALE**  
1/8"=1'-0"

**PROJECT NUMBER**  
1738

REVISIONS			
NO	DATE	TYPE	BY
6-25-11		REVISED PLAN FOR CITY COMMENTS	AV

**DATE:** 6-13-11

**ISSUED FOR:**

**EFFECTIVE DATE:**

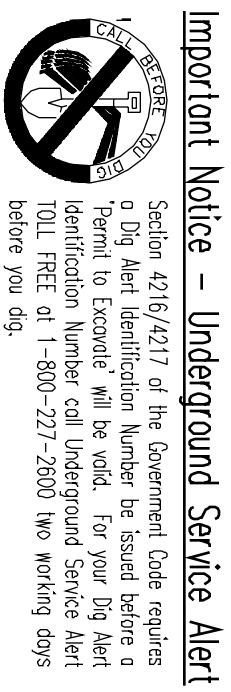
**DESIGN BY:** TKD

**DRAWN BY:** TKD

**FILENAME:** 1738Pld.dwg

**SHEET NO:** TOTAL 1-1

**SHEETS**



**Important Notice - Underground Service Alert**

Section 4716/4717 of the Government Code requires a Dig Alert notification to be issued before a construction project begins. The Dig Alert notification is a free service provided by the State of California. To receive a Dig Alert, please call 1-800-277-2600. No working days before you dig.

Construction contractor agrees that in accordance with generally accepted construction practices, construction contractor will be required to assume sole and complete responsibility for job site conditions during the course of construction of the project, including safety of all persons and property. This requirement shall be made to apply continuously and not be limited to normal working hours, and construction contractor further agrees to defend, indemnify and hold harmless the design professional from and against all claims, damages, costs and expenses, including reasonable attorney's fees, arising out of or from the performance of work on this project, excepting liability arising from the site negligence of design professional.